

## SEMI F47-0706

### Voltage Sag Immunity Compliance Certificate

#### *PULS QS10.241, QS10.241-A1, QS10.241-C1*

QS10.241-A1 is identical to the QS10.241 aside from a conformal coated PC-board and an ATEX approval  
QS10.241-C1 is identical to the QS10.241 aside from a conformal coated PC-board  
AC 100-240V, 50/60 Hz, 1-phase, Output: 240W, 24V, 10A

**Description:** Power Supply 24Vdc

**Manufacturer:** PULS GmbH

**Manufacturer Address:** Arabellastraße 15, 81925 München

**Test Date and Location:** 3 September 2004, 942 Corridor Park Blvd, Knoxville, TN 37932 USA

**Tested configuration:** 100% load, 50/60 Hz at 120/208 Vac, 1-Phase 2-wire +PE, S/N 2351311

**Pass/Fail criteria:** Full rated output power and continuous processing during all voltage sags.

#### **Certification:**

1. Power Standards Laboratory certifies that the above power supply meets the requirements of SEMI F47-0706 for voltage sag immunity when tested according to the procedures set forth in IEC 61000-4-34. An IPC Voltage Sag Generator was used for the testing that fully complies with IEC 61000-4-34.



*PULS QS10.241 Power Supply*



Andreas Eberhard

16 January 2012

Power Standards Lab



## Attachment A – SEMI F47 Test Results

Testing was performed EPRI PEAC’s Power Quality Laboratory in Knoxville, TN. The test protocol followed was SEMI F42 Test Method for Semiconductor Processing Equipment Voltage Sag Immunity. To ensure maximum accuracy of the test, a variable voltage source was used to set the voltage to exactly 120/208Vac. This was verified at the power supply with a qualified meter. During the voltage sag test, the power supply was connected to a variable resistive load bank and loaded to 100% of its load. Table A-1 shows the power supplies rated full load conditions, and the actual load it was tested at.

Table A-2 lists all points tested per SEMI F42 test method, and Figure A-1 shows the power supplies specific SEMI F47 ride-through curve at 120Vac, and Figure A-2 shows the power supplies specific SEMI F47 ride-through curve at 208Vac. The SEMI specific points are highlighted for both 50 and 60 Hz. The power supply was tested at points below the curve to fully characterize the components. During the testing of SEMI F47 test points (1s at 80%, 0.5s at 70%, 0.2s at 50%, and 0.05s at 50%) the output voltage of the power supply did not deviate. Deviation is noted in the test tables and at what points the output voltage deviated. It’s important to note that the power supply passed at 50 and 60 Hz, loaded to 100% of resistive load.

**Table A-1 Power Supplies Ratings**

Evaluated at 120/208Vac							
Manufacture	Power Supply	Vdc	I	R	W	Actual load	Result
PULS	QS10.241	24	10	2.4	240	100%	Passed

**Table A-2. PULS QS10.241 Test Results**

Duration			Percent of Nominal					SEMI F47	Results
Seconds	60Hz Cycles	50Hz Cycles	120Vac 60Hz	120Vac 50Hz	208Vac 60Hz	208Vac 50Hz			
1	60	50	53%	56%	29%	30%	80%	Passed	
0.5	30	25	48%	48%	28%	25%	80%	Passed	
0.5	30	25	48%	48%	28%	25%	70%	Passed	
0.25	15	12.5	43%	43%	25%	25%	70%	Passed	
0.2	12	10	43%	43%	25%	25%	70%	Passed	
0.2	12	10	43%	43%	25%	25%	50%	Passed	
0.17	10	8.5	43%	43%	25%	25%	50%	Passed	
0.08	5	4	40%	40%	25%	25%	50%	Passed	
0.07	4	3.5	40%	40%	25%	25%	50%	Passed	
0.05	3	2.5	37%	37%	25%	25%	50%	Passed	
0.03	2	1.5	34%	32%	24%	25%	Unspecified	N/A	
0.02	1	1	0%	3%	14%	20%	Unspecified	N/A	

Figure A-1. PULS QS10.241 SEMI F47 Ride-Through Curve at 120Vac

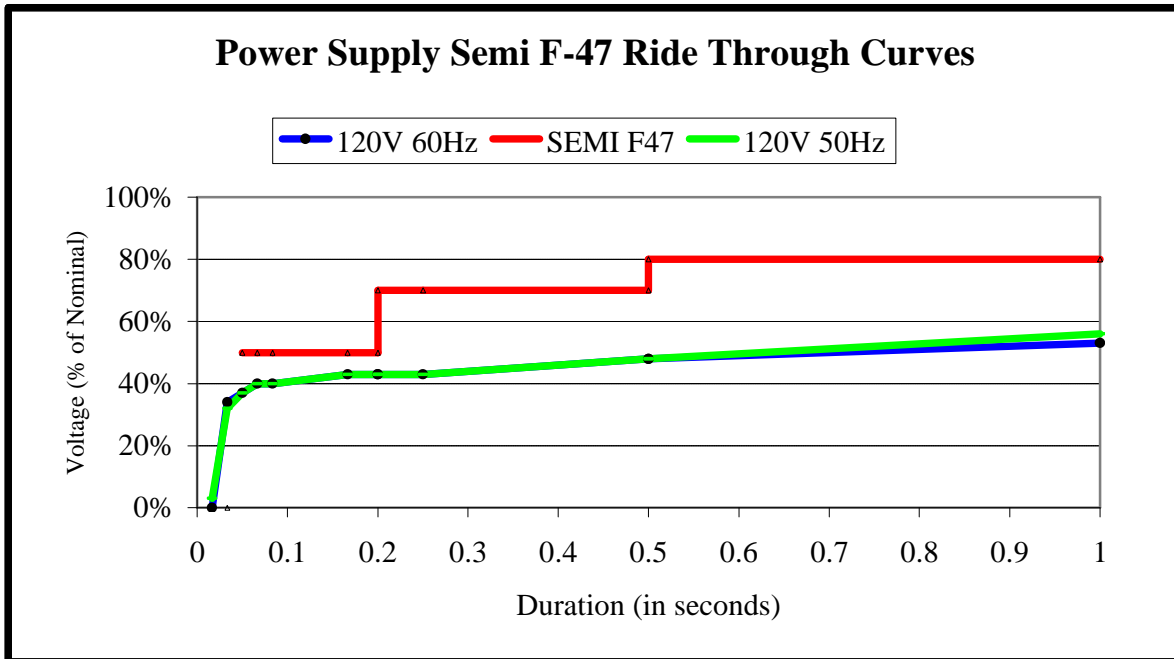
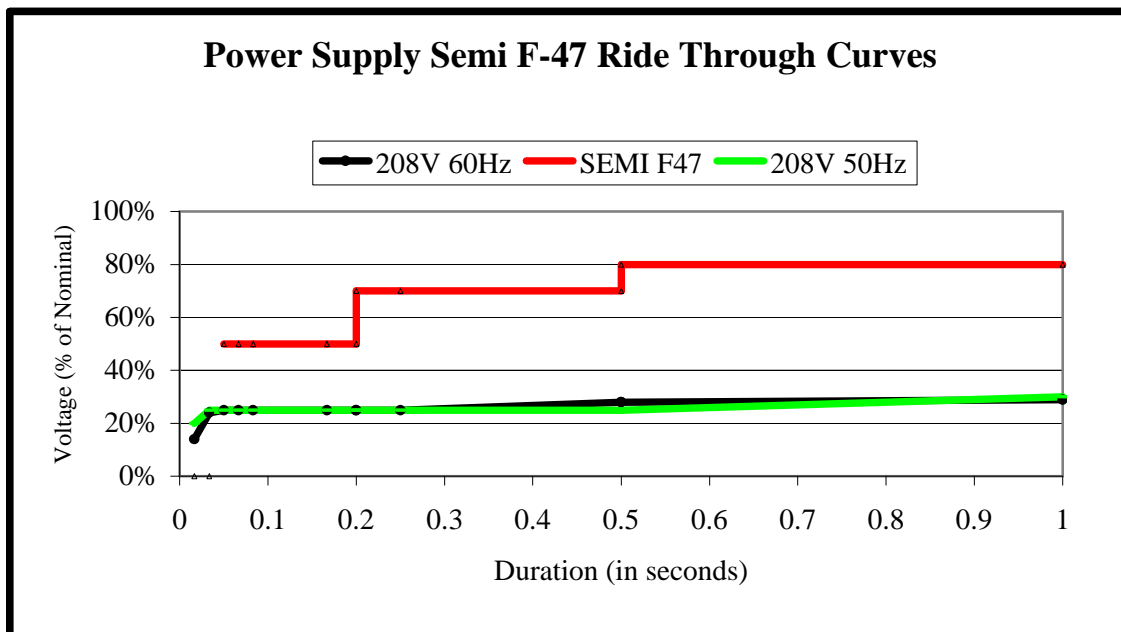


Figure A-2. PULS QS10.241 SEMI F47 Ride-Through Curve at 208Vac





The Power of Reliability<sup>SM</sup>

EPRI PEAC Corporation

A Power Quality Engineering Services Company

**Electrical Environment**

Steady state measurements were taken prior to testing. Table A-3 lists measurements taken to characterize the electrical environment of the power supply during SEMI F47 compliance testing, at 50/60 Hz.

**Table A-3. Steady State Measurements for PULS QS 10.241**

Measurement Parameters	Test Process State 120V/60Hz	Test Process State 120V/50 Hz	Test Process State 208V/60Hz	Test Process State 208V/50Hz
<b>Rated Voltage P-P</b>	100-240	100-240	100-240	100-240
<b>Voltage (Va-b)</b>	120.1	120.1	208	208
<b>Current (Ia)</b>	2.22	2.22	1.35	1.33
<b>Power (Wa-n)</b>	260	260	260	260
<b>Volt Amps (VA)</b>	270	270	280	280
<b>Vthd (Phase A) %</b>	0.4	0.4	0.2	0.2
<b>Ithd (Phase A) %</b>	16.3	17.3	34.8	31.8
<b>I1</b>	2.19	2.19	1.27	1.26
<b>I3</b>	0.34	0.36	0.43	0.39
<b>I5</b>	0.07	0.08	0.07	0.07
<b>Power Factor</b>	0.98	0.97	0.91	0.93
<b>Crest Factors</b>	1.67	1.68	1.67	1.68
<b>Hertz</b>	60	50	60	50



## Attachment B - Test Configuration

### Test Configuration

The SEMI F42 compliant voltage sag generator was placed in series with the main power feed, in accordance with SEMI F42 and shown in Figure B-1. The main power feed for this test was an amplifier that was adjustable for voltage and frequency. This allowed a precise setting of 120/208Vac and 50/60 Hz. A photo of the setup is shown in Figure B-2.

**Figure B-1 – Test Configuration and Setup**

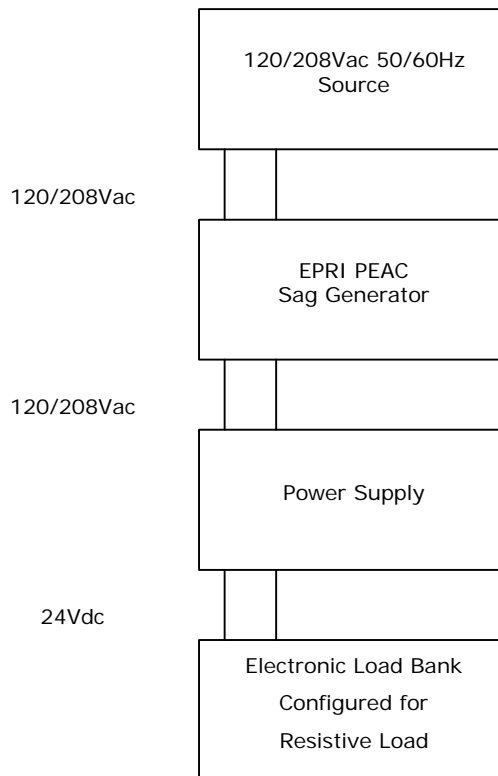
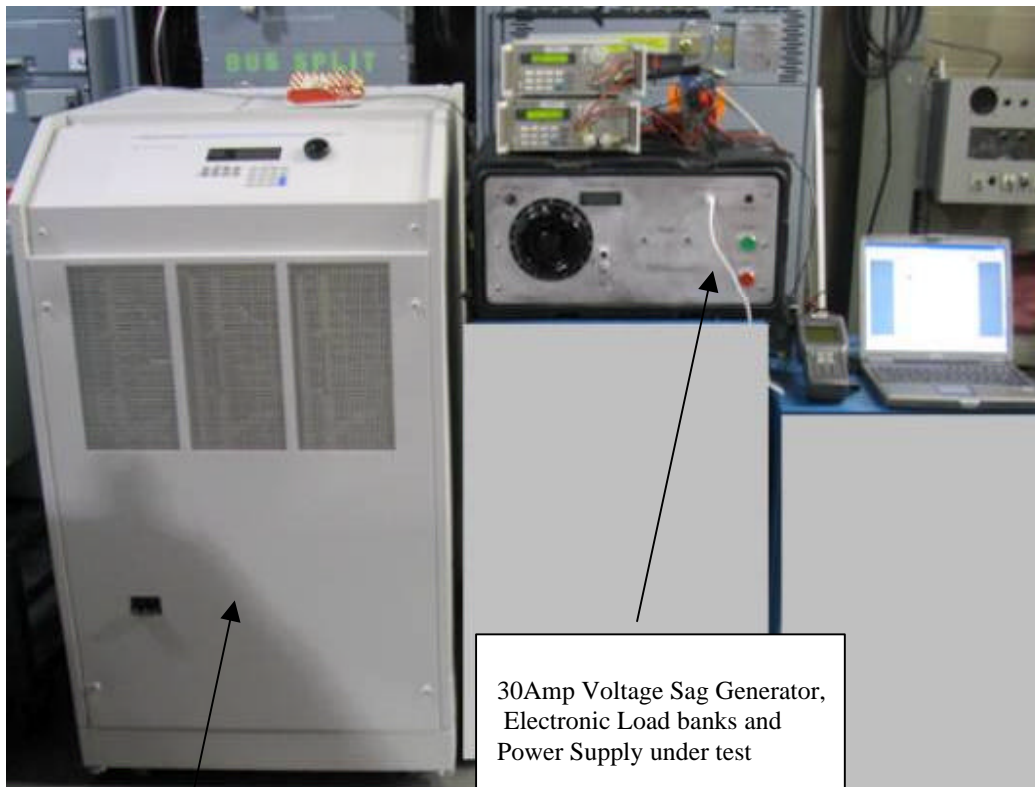


Figure B-2 - Photo of Test Setup



45kVA 3-Phase Programmable  
Voltage Source

30Amp Voltage Sag Generator,  
Electronic Load banks and  
Power Supply under test



### Attachment C - SEMI F47 Abstract

The SEMI F47 “Specification for Semiconductor Processing Equipment Voltage Sag Immunity” document defines the threshold that a semiconductor tool must operate without interruption (per SEMI F42) and it also provides a target for the facility and utility systems. The Recognizing semiconductor factories require high levels of power quality due to the sensitivity of equipment and process controls and that Semiconductor processing equipment is especially vulnerable to voltage sags, this document defines the voltage sag ride-through capability required for semiconductor processing, metrology, and automated test equipment.

The requirements in this international standard were developed to satisfy semiconductor industry needs. While more stringent than existing generic standards, this industry-specific specification is not in conflict with known generic equipment regulations from other regions or generic equipment standards from other organizations. It is the intent of this standard to provide specifications for semiconductor processing equipment that will lead to improved selection criteria for sub-components and improvements in equipment systems design. While it is recognized that in certain extreme cases or for specific functions battery storage devices may be appropriate, it is not the intent of this standard to increase the size or use of battery storage devices provided with equipment. Focus on improvements in equipment component and system design should lead to a reduction or elimination in the use of battery storage devices to achieve equipment reliability during voltage sag events.

The SEMI F47 document specifies the minimum voltage sag ride-through capability design requirements for equipment used in the semiconductor industry. The expected equipment performance capability is shown graphically on a chart representing voltage sag duration and percent deviation of equipment nominal voltage. The primary focus for this specification is semiconductor processing equipment including but not limited to the following tool types:

- Etch equipment (Dry & Wet)
- Film deposition equipment (CVD & PVD)
- Thermal equipment
- Surface prep and clean
- Photolithography equipment (Stepper & Tracks)
- Chemical Mechanical Polishing equipment
- Ion Implant equipment
- Metrology equipment
- Automated test equipment

The actual SEMI F47 ride-through curve is shown below.

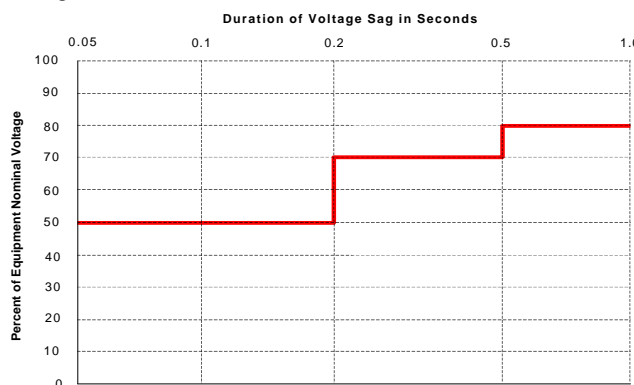


Figure C-1 The SEMI F47 Voltage Sag Ride-Through Curve

The specification states that Semiconductor processing, metrology, and automated test equipment must be designed and built to conform to the voltage sag ride-through capability per the defined curve. Equipment must continue to operate without interrupt (per SEMI E10 ) during conditions identified in the area above the defined line. In the



The Power of Reliability<sup>SM</sup>

EPRI PEAC Corporation

A Power Quality Engineering Services Company

context of SEMI F47, interrupt means any assist or failure. An assist is defined as an unplanned interruption that occurs during an equipment cycle where all three of the following conditions apply:

- The interrupted equipment cycle is resumed through external intervention (e.g., by an operator or user, either human or host computer).
- There is no replacement of a part, other than specified consumables.
- There is no further variation from specification of equipment operation.

Furthermore, a failure is any unplanned interruption or variance from the specifications of equipment operation other than assists. Although no variation in the tool's process is the goal, this standard addresses these issues as related to the equipment operation only.





The Power of Reliability<sup>SM</sup>

EPRI PEAC Corporation

A Power Quality Engineering Services Company



### **EPRI PEAC Corporation PQ Star Certification for the Semiconductor Industry**

Having conducted power quality tests on hundreds of devices and electrical equipment since 1992, EPRI PEAC Corporation is known worldwide for power quality testing expertise. Since April 1997, EPRI PEAC has conducted voltage sag testing on semiconductor processing tools. In order to serve the semiconductor industry, EPRI PEAC Corporation has established a certification program to test manufacturer equipment per established power quality standards. PQ Star certification for the SEMI F47 standard (Specification for semiconductor Processing Equipment Voltage Sag Immunity) is now available for semiconductor equipment suppliers. EPRI PEAC utilizes the SEMI F42 test standard (Test Method for Semiconductor Processing Equipment Voltage Sag Immunity). With the PQ Star certification, EPRI PEAC Corporation offers a third party verification that the equipment tested meets this important new power quality standard.

For more information about the PQ Star test program for the semiconductor industry or inquire about testing, contact Mark Stephens at [mstephens@epri-peac.com](mailto:mstephens@epri-peac.com)

**EPRI PEAC Corporation**  
942 Corridor Park Blvd  
Knoxville, Tennessee 37932  
(865) 218-8000  
[www.f47testing.com](http://www.f47testing.com)