

Product Description

The ZM10.WALL is a mechanical accessory to mount a device on a flat surface or panel without utilizing a DIN-rail. The brackets can be mounted without detaching the DIN-rail brackets.

The order number ZM10.WALL contains two brackets (one for the left and one for the right side) and two screws needed for one device.

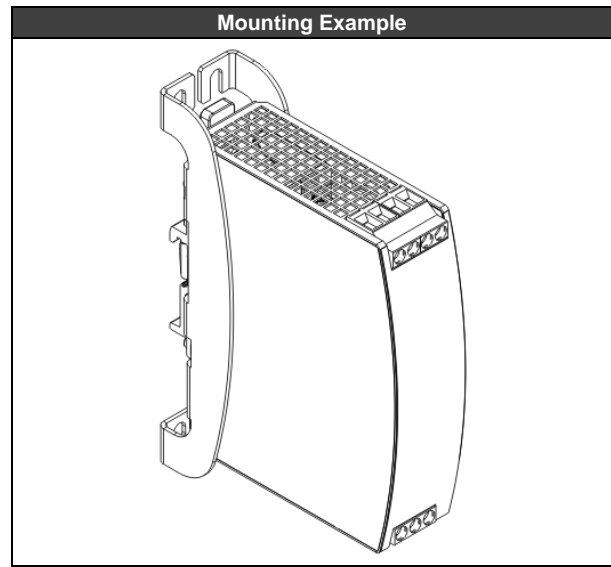
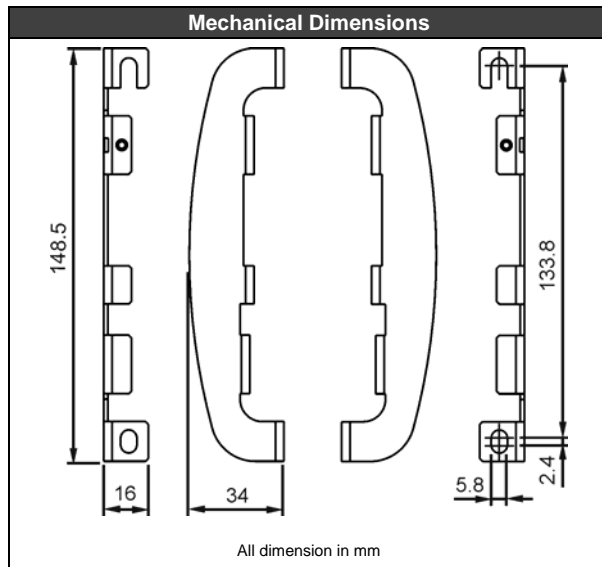
Intended Use

This mechanical accessory is designed for DIN-rail devices. Check the product datasheet of the DIN-rail device to confirm that it is suitable for the desired device.

Technical Data

Size (width x height x depth) 16x148.5x34mm

Weight 85g / 0.19lb



Headquarters: PULS GmbH, Elektrastr. 6, 81925 Munich, Germany, www.pulspower.com

Germany +49 89 9278 0

China +86 512 62881820

France +33 478 668 941

North America +1 630 587 9780

Austria +43 2764 3213

Singapore +65 6684 2310

Switzerland +41 56 450 18 10

United Kingdom +44 1525 841001

The information in this document is believed to be accurate and reliable and may change without notice.

Installation Instructions

- 1) Insert the screw on the right wall mount bracket with two full turns.
- 2) Insert and push the right wall mount bracket against the side of the device.
- 3) Tighten the screw.
- 4) Insert the screw on the left wall mount bracket with two full turns.
- 5) Insert and push the left wall mount bracket against the side of the device.
- 6) Tighten the screw.

