

Product Description

The ZM3.WALL is a short piece of plastic DIN-Rail to mount a device on a flat surface or panel.

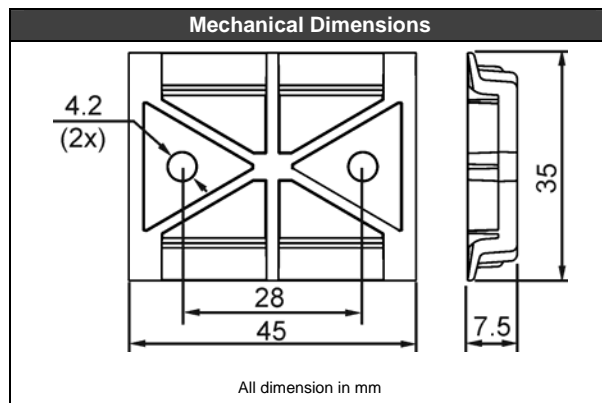
The order number ZM3.WALL is a bulk package with 25 pieces of this plastic DIN-rail.

Technical Data

Size (width x height x depth) 45x7.5x35mm
Weight 8g / 0.02lb

Intended Use

This mechanical accessory is designed for DIN-rail devices. Check the product datasheet of the DIN-rail device to confirm that it is suitable for the desired device.



Headquarters: PULS GmbH, Elektrastr. 6, 81925 Munich, Germany, www.pulspower.com

Germany +49 89 9278 0

France +33 478 668 941

Austria +43 2764 3213

Switzerland +41 56 450 18 10

China +86 512 62881820

North America +1 630 587 9780

Singapore +65 6684 2310

United Kingdom +44 1525 841001

The information in this document is believed to be accurate and reliable and may change without notice.